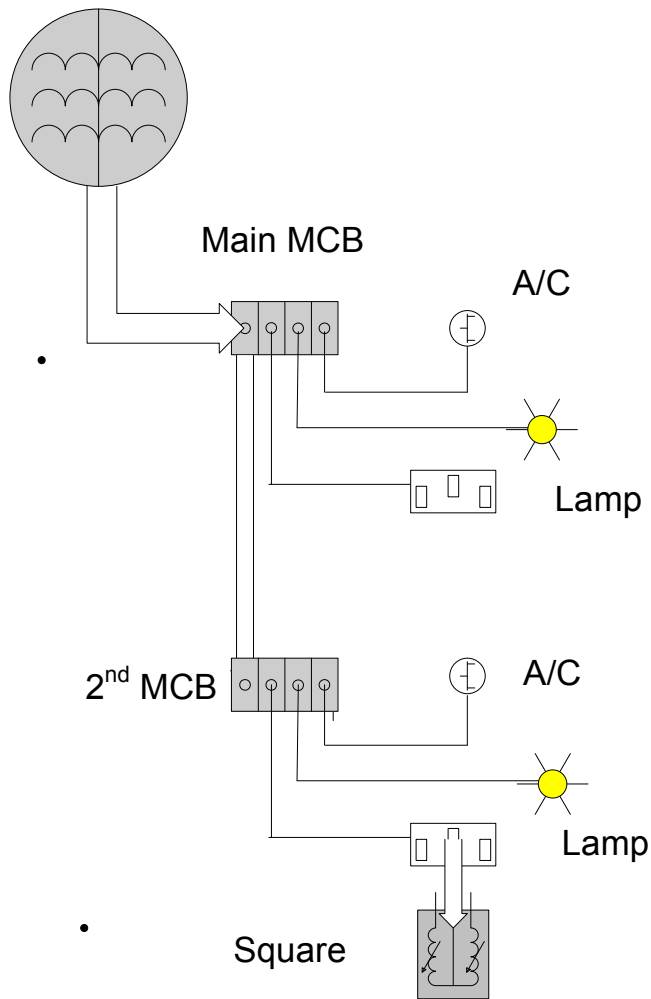


SQUARE® Electric Saver ,

Set Up 1.

1 unit Square per Meter.
Parallel MCB

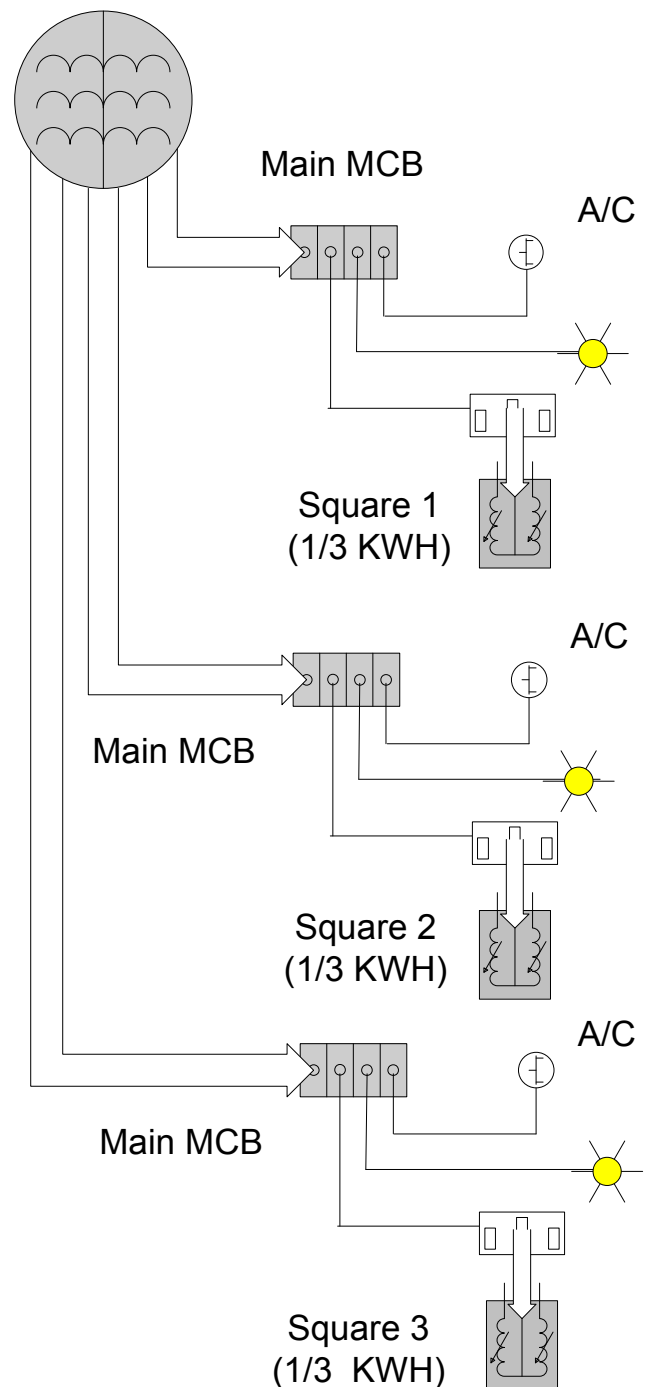
Meter KWH



Set Up 2.

1 unit Square per MCB or Phase..
Mult Parallel MCB or Phase

Meter KWH



Note.

1 square is required per meter and/or per phase and/or per single MCB directly connected to the Meter.

The total rating per Square should equal KWH